



## AJ-WD 28

### STANDARD PROPERTIES

- Preheater
- Batteries and cables
- Electronic battery charger
- Fuel tank integrated in the chassis
- Flexible fuel hoses and oil drain valve
- Electrostatic powder painted chassis made of steel sheet welded
- Stainless galvanized steel cabinet design

## OUTPUT VALUES

Standby Power			Prime Power		
kVA	kW	Ampere	kVA	kW	Ampere
28	22	40	25	20	36

## DIESEL ENGINE

ISO 8528, ISO 3046, BS 5514, DIN 6271 state-of-the-art engine brands with low fuel consumption, fuel pump mounted, mechanical or electronic type governor are used.

Brand	Weichai
Model	WP2D25E200
Max Total Output Power (kWm/hp)	28/38
Cylinder Volume (lt)	2,3
Cylinder Arrangement	3 Single Lines
Bore x Stroke (mm*mm)	89*92
Governor Type	Mechanical
Cycle (Rotation)	1500 RPM
Intake System	Natural
Spray Type	Directly
Cooling Type	
Electric System (VCD)	
Oil Capacity (lt)	
Cooling Water Capacity (lt)	
Fuel Consumption %50 (lt/h)	
Fuel Consumption %75 (lt/h)	
Fuel Consumption %100 (lt/h)	

## ALTERNATOR

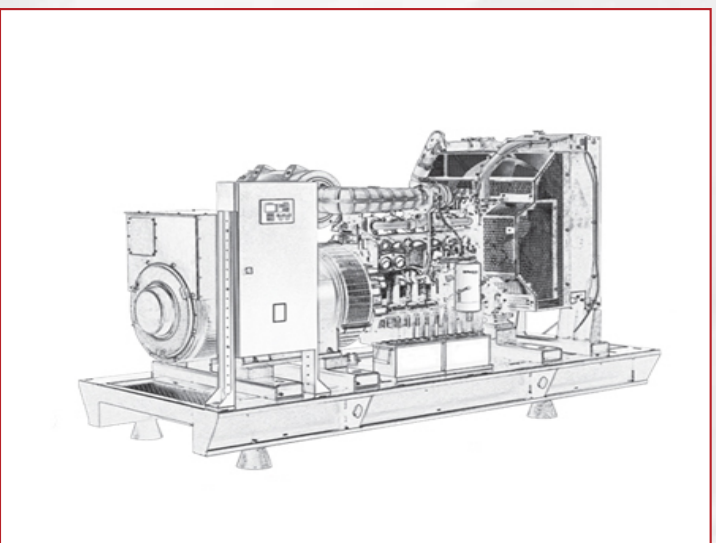
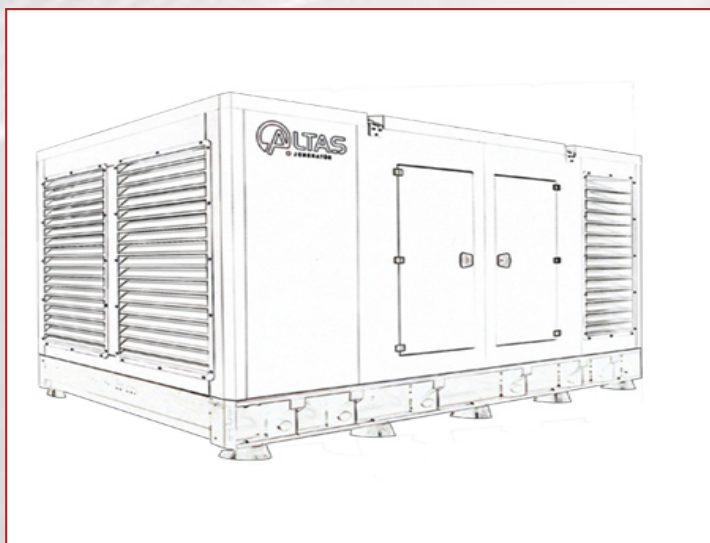
4-pole self-excited brushless, synchronous alternator, maintenance-free bearing system, providing precise voltage adjustment with electronic type voltage regulator.

Output Voltage (V)	
Frequency (Hz)	
Permanent Voltage Reg. ( $\pm$ ) (%)	
Short Circuit Current	
Insulation Class	
Protection Class	
Efficiency(%)	
Working Time at Overload	
Power Factor (cos Phi)	
Total Harmonic Distortion Rate	
Connection Style	
Pole Number	
Number of Beds	
Cabin Type	

Altas Generator reserves the right to make changes in the technical specifications and cabin dimensions in advance due to the ongoing developments in generator technology without prior notice..

## DIMENSIONS AND WEIGHT

<b>CABINET GROUP</b>	Width (mm)		<b>CABINLESS GROUP</b>	Width (mm)	
	Size (mm)			Size (mm)	
	Height (mm)			Height (mm)	
	Weight (Kg)			Weight (Kg)	
	Fuel Tank Capacity (Lt)			Fuel Tank Capacity (lt)	



## OPTIONAL FEATURES

- Sound insulation cabin
- Transfer board
- Fuel water separator filter
- Alternator output switch
- Fuel tank heater
- Oil heater
- External fuel tank and transfer pump
- Remote monitoring and control
- Synchronization systems
- Special type exhaust silencer
- Trailer

## CONTROL PANEL FEATURES



- Diesel and gas generator support
- 400 Hz generator support
- Event record with 400x measurement value
- All parameters can be changed from the front panel
- 3 level program password
- 128x64 pixel graphic LCD
- Language upload
- Current-voltage waveform
- Current-voltage harmonic analysis
- 16 Amp / 250V ŞK / JK outputs
- 8 programmed digital inputs
- 6 programmed digital outputs
- 3 programmed analog inputs
- CANBUS-J1939 & MPU input
- 3 scheduled service alarms
- Multiple automatic test program
- 609 / 5000 Çeviri sonuçları Weekly work schedule
- Dual generator support, equal aging
- Fine speed adjustment (some ECUs)
- Automatic fuel pump control
- Protection cancellation feature
- Overpower protection
- Reverse power protection
- Overcurrent IDMT protection
- Load shedding, dummy load
- Multiple load shedding programs
- Current unbalance protection
- Voltage unbalance protection
- Fuel filling and theft alarms
- Battery backed real time clock
- Idle speed control
- Battery charging operation
- Battle mode support
- Multiple nominal condition definitions
- Contactor and motorized switch drive
- 4 quarter energy meters
- Network energy meters
- Fuel fill counter
- Fuel consumption counter
- Modem dignostik page
- Via USB, RS-232 and GPRS parameter setting
- Free configuration software
- SMS control facility
- Ready to watch the center
- Mobile generator support
- Automatic GSM geolocation
- GPS connection (RS232)
- Installing software via USB
- IP65 protection (with gasket)