

# BAUDOQUIN



## **AJ-B 20**

### **TECHNICAL SPECIFICATIONS**

#### **20 kVA**

**20 kVA** - 25 kVA - 35 kVA - 44 kVA - 50 kVA - 55 kVA - 70 kVA - 88 kVA - 110 kVA - 150 kVA  
165 kVA - 220 kVA - 250 kVA - 275 kVA - 300 kVA - 350 kVA - 400 kVA - 440 kVA - 500 kVA - 550 kVA  
660 kVA - 715 kVA - 750 kVA - 825 kVA - 900 kVA - 1000 kVA - 1100 kVA - 1250 kVA - 1400 kVA  
1500 kVA - 1650 kVA - 1900 kVA - 2000 kVA - 2250 kVA - 2500 kVA - 2750 kVA

# AJ-B 20

## TECHNICAL SPECIFICATIONS

### QUALITY STANDARDS

- ISO 9001-2015, ISO 14001-2015, ISO 45001-2018 quality managements certificates.
- Our sound-insulated generator canopies have 2000/14/EC Noise Emmision Module 8 certification.
- Our generator groups have TS ISO 8528-4, TS ISO 8528-5, TS ISO 8528-13 certification.
- We hold a TS EN ISO 9227, 2,000 Hour Neutral Saltwater Test certificate.
- We hold an EAC customs certificate.
- We hold a TS 12650 (18.02.2016) certificate.
- Our generators carry the CE conformation mark.

### OUTPUT VALUES

Standby Power			Prime Power		
kVA	kW	Ampere	kVA	kW	Ampere
20	16	29	18	15	26

### DIESEL ENGINE

Altaş Jeneratör gensets are fitted with high-tech mechanical or electronic command low fuel consumption 4-stroke engines from top brands; with fuel tank mounted, air water and oil cooling according to diesel cooling type; oil, fuel and air-filter systems designed for high diesel engine performance under heavy-duty conditions; limit and level sensors for added protection; and fine controls for speed and regulation.

Brand	BAUDOIN
Model	4M06G20/5
Max. Total Output Power (kWm/hp)	20/27
Cubic Capacity (lt)	2,3
Cylinder Arrangement	4 Single Lines
Bore x Stroke (mm*mm)	89*92
Compression Ratio	17,5:1
Governor Type	Electronic
Revolution	1500 RPM
Intake System	Natural
Spray Pattern	Direct
Cooling Pattern	Water Cooled
Electric System (VCD)	12
Oil Capacity (lt)	11,5
Cooling Water Capacity (lt)	8,6
Fuel Consumption 50% (lt/h)	3,2
Fuel Consumption 75% (lt/h)	4,5
Fuel Consumption 100% (lt/h)	6,1



## ALTERNATOR

Altaş Jeneratör gensets are fitted with European alternators or alternators manufactured for us that are selected according to project specifications. Only top quality and efficient alternators with maintenance free pads, electronic voltage regulators with fine voltage settings, 4-pole, self exciting brushless units that have passed all tests are installed.

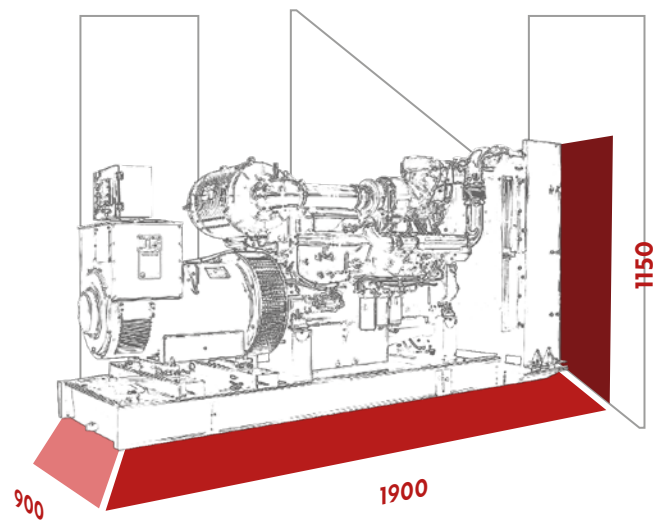
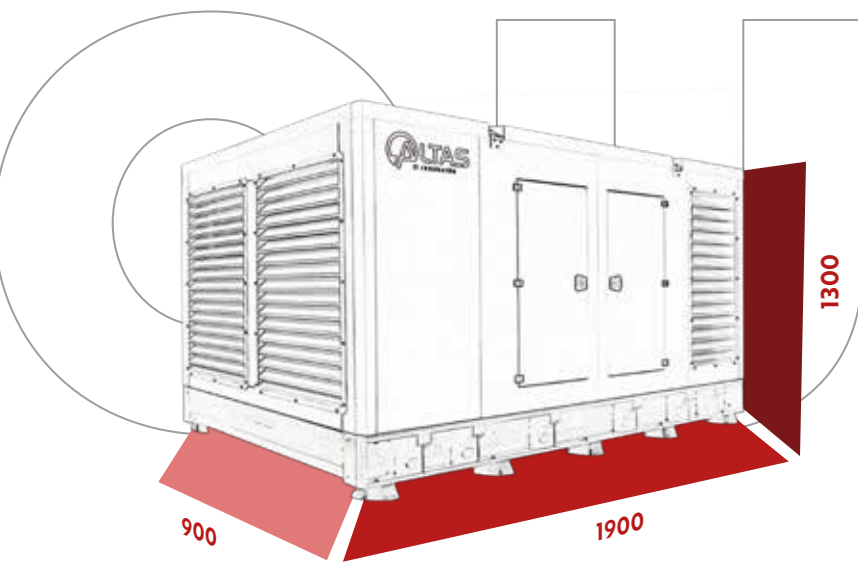
Brand	XINGNUO
Output Voltage (V)	230/400
Frequency (Hz)	50
Permanent Voltage Reg. ( $\pm$ )	1%
Short Circuit Current	300% (10 sec)
Isolation Class	H
Protection Class	IP21
Productivity (%)	88
Overload Uptime	110% for one hour
Power Factor (cos Phi)	0,8
Total Harmonic Degradation	< 1%
Connection Style	Star
Number of Poles	4
Number of Bearings	Single

## ENGINE AND ALTERNATOR OPTIONAL FEATURES

- Fuel-water separating filters
- Oil heater
- Medium-voltage alternators
- Alternator output switch
- Dual AVR and PMG alternators
- Alternator coil heaters - damp protection
- Single-phase option

## CANOPY - DIMENSIONS AND WEIGHT

The protective and insulated canopies for Altaş Jeneratör generator groups have been designed in R&D by our engineering teams. Developed to withstand difficult weather and setting conditions, the canopies are designed to provide protection without compromising efficiency, in addition to cooling capabilities for environmental temperatures as well as noise-reduction capabilities.



#### With Cubicle

Width (mm)	900
Length (mm)	1900
Height (mm)	1300
Weight (Kg)	685
Fuel Tank Capacity (lt)	107

#### W/O Cubicle

Width (mm)	900
Length (mm)	1900
Height (mm)	1150
Weight (Kg)	550
Fuel Tank Capacity (lt)	107

- Modular build that enables easy service, maintenance and intervention
- Non-welded bolt and nut cabin construction
- IP23 protection classification
- Galvanized steel construction
- Control panel mounted on the chassis
- Wide doors with dual-sided locking
- 2 or 4-point lifting and freight lugs on the chassis or canopy according to canopy dimensions
- Corrosion-resistant locks and hinges
- Canopy-mounted water and antifreeze refill cap
- Emergency stop button
- Transparent instrument panel window
- Fire-retardant soundproofing foam
- Air suction ducts to ensure homogenous cooling
- Strengthened paint system for corrosion and rust protection
- Industrial muffler

## OPTIONAL FEATURES

- Custom canopy build for special dimensions, shapes and colors
- Specially designed canopy for noise requirements
- Hidden exhaust muffler inside the canopy
- Super silent canopies
- Shipping container
- Trailer
- Hospital or critical location mufflers
- Plug socket kit



## CONTROL PANEL

The standard control panels used in the Altaş Jeneratör gensets are user-friendly and enable safe operation. They provide easy assessment of the generators current status, as well as other specific information such as measured parameters, operation mode, warnings and alarms.

- EU standard control panel range
- Panels made of galvanized steel and painted with electrostatic powder coating
- Emergency stop button
- Micro-processor control
- LCD electronic control module on the front
- Programmable software
- Breakdown and event summaries, memory features
- Engine block water heat control

## OPTIONAL FEATURES

- Synchronization systems
- Continuous parallel system with power grid
- Power grid transfer synchronicity system
- Customized panel design for special projects
- Remote monitoring and control
- Fuel level alarm
- Additional LED module
- Charge ammeter
- Alarm output relays
- Remote communication
- Generator output switch
- Output switch with 3 or 4-pole motor
- Audible warning systems (horn)
- Earthquake sensor



## CONTROL PANEL FEATURES

- Diesel and gas genset support
- 400Hz generator support
- 400+ event logs, full snapshot
- All parameters adjustable on the front panel
- 3-level program password
- 128x64 pixel graphic LCD
- Language software
- Voltage/current waveform display
- Voltage/current harmonic analysis
- 16 amp / 250 volt MCB/GCB outputs
- 8 programmable digital inputs
- 6 programmable digital output
- 3 programmable analog inputs
- CANBUS-J1939 & MPU input
- 3 programmable service alarms
- Multiple automatic test programs
- Weekly operation program
- Dual generator support, with equal genset wear
- Fine speed adjustment (some ECU's)
- Automatic fuel-pump control
- Safeguard cancellation feature
- Excess power protection
- Reversed power protection
- Current overload IDMT protection
- Load shedding, dummy load
- Multiple dummy load programs
- Current fluctuation safeguard
- Voltage fluctuation safeguard
- Fuel overflow and theft alarms
- Real-time clock with battery backup
- Idle mode rev control
- Battery charge run enabled
- Combat mode support
- Multiple nominal condition settings
- Contactor and MCB drive
- 4 quadrant genset power counters
- Main power grid counters
- Fuel filling gauge
- Modern diagnostics page
- Configurable through USB, RS-232 and GPRS
- Free configuration software
- SMS control capability
- Central-monitoring ready
- Mobile genset support
- Automatic GSM geolocation
- GPS connection (RS232)
- USB firmware upgrade
- IP65 rating with standard gasket



## CHASSIS AND FUEL TANK

Constructed to bear the weight of the genset, the chassis is designed in conformity with international standards with high durability especially against vibration and tension.

- Advanced corrosion-resistant high quality steel
- Electrostatic powder paint
- Minimum 2,000 hour resistance against salt-water spray in conformity to norms
- Ergonomic access that enables easy maintenance and connection of the generator
- Anti-vibration mounts
- Chassis-integrated fuel tank (external above 1,500 kVA)
- Fuel level gauge
- Leaking pan
- Fuel evacuation vane

## OPTIONAL FEATURES

- Double-walled fuel tank
- Custom dimension, color and volume fuel tank for special projects
- Automatic refueling system
- External fuel tank and transfer pump
- Fuel tank heater
- Oil evacuation, electrical pump
- Low and high fuel level alarm
- Waste liquid level sensor
- Waste liquid accumulation pan

## COOLING SYSTEMS

Altaş Jeneratör uses international standard radiators that maintain generator equipment at a fixed temperature to ensure high performance and maximum efficiency.

- Protection cage for unwanted contact with rotating or hot parts
- Air duct adaptor
- Optional: Remote radiator applications

## DOCUMENTS

Altaş Jeneratör gensets come with the following documents:

- Operating manual
- Control panel booklet
- Warranty certificate
- Warranty conditions booklet
- Test documentation

## TERMS OF USE

Given for the nominal power attributed to the generator at 25 °C air intake temperature, 100 kPa barometric pressure and 30% relative humidity according to standards. Kindly contact the Altaş Jeneratör technical team regarding specific conditions for installation.

## WARRANTY CONDITIONS

Altaş Jeneratör gensets are covered by a 2-year or 1,000 hour warranty starting on the delivery date. Please ask for the Altaş Jeneratör warranty conditions booklet for detailed information on warranty conditions.



altasjenerator.com.tr